

AS40 AC Servo Motors



Electrical Specifications:

	AS40-30-002E25		AS40-30-003E25	
Rated Power (W)	50	50	100	100
Rated Voltage (V)	48	220	48	220
Rated Current (A)	1.1	0.4	2.5	0.9
Rated Speed (RPM)	3000	3000	3000	3000
Holding Torque (N.m)	0.16	0.16	0.32	0.32
Peak Torque (N.m)	0.48	0.32	0.95	0.64
Voltage Constant (V/1000r/min)	9.2	36.8	8.2	32.8
Torque Coefficient (N.m/A)	0.145	0.4	0.128	0.36
Rotor Inertia (Kg.m ²)	0.025x10 ⁻⁴	0.025x10 ⁻⁴	0.051 x10 ⁻⁴	0.051 x10 ⁻⁴
Line-Line Resistance(Ω)	6.75	108	2.2	34
Line-Line Inductance (mH)	7.5	108	3	40
Mechanical time-constant(Ms)	1.11	1.0	1.36	1.18
Weight (Kg)	0.32	0.32	0.47	0.47
Encoder line number (PPR)	2500			

General Feature

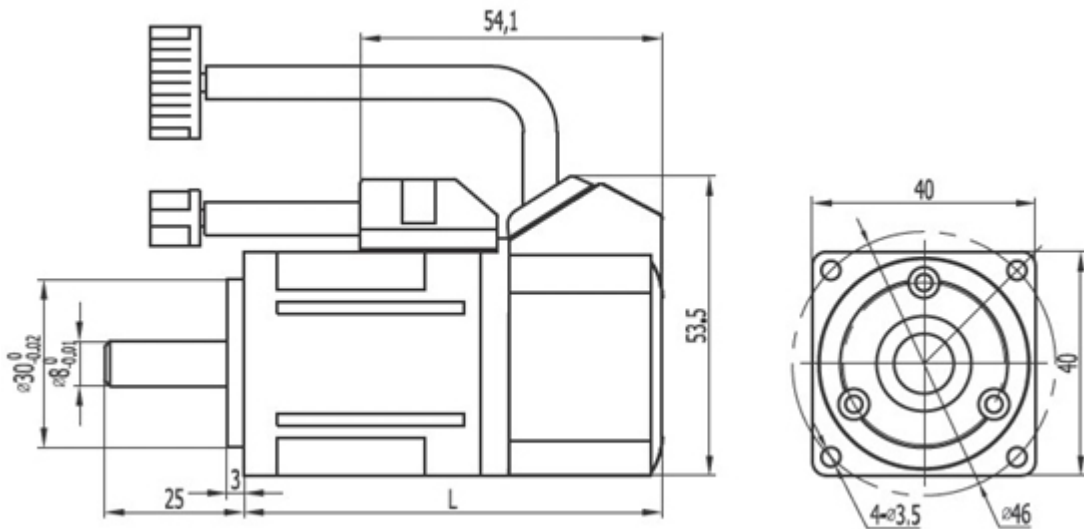
Insulation Class	Class B				
Safety class	IP65				
The operating of Environmental conditions	Temperature: -20℃ ~ +40℃ Humidity: Below90%RH (No Dewing)				
Motor winding pulse	Winding Lead Wire	U	V	W	PE
	Plug Serial number	1	2	3	4

MotionKing (China) Motor Industry Co., Ltd.

Encoder pulse	Signal Lead Wire	5	0V	B+	Z-	U+	Z+	U-	A+	V+	W+	V-	A-	B-	W-	PE
	Plug Serial number	2	3	4	5	6	7	8	9	10	11	12	13	14	15	1

*Note: We can manufacture products according to customer's requirements.

Dimensions: unit=mm



Installation precaution:

1. Installation/disassembly components coupled to the motor shaft end, do not hit shaft hard to prevent the other side of motor shaft encoder was knocked out bad.
2. Striving to make the best of its shaft to prevent vibration and bearing damage.

Installation Dimension:unit =mm

Length	AS40-30-002E25	AS40-30-003E25
L	75	90

AS60 AC Servo Motors


Electrical Specifications:

	AS60-30-006E25	AS60-30-013E25	AS60-30-020E25
Rated Power (W)	200	400	600
Rated Voltage (V)	220	220	220
Rated Current (A)	1.5	2.8	3.5
Rated Speed (RPM)	3000	3000	3000
Rated Torque (N.m)	0.63	1.27	1.91
Peak Torque (N.m)	1.91	3.8	5.73
Peak Current (A)	4.5	8.4	10.5
Voltage Constant (V/1000r/min)	28	28	28
Torque Coefficient (N.m/A)	0.42	0.5	0.55
Rotor Inertia (Kg.m ²)	0.17x10 ⁻⁴	0.3x10 ⁻⁴	0.44x10 ⁻⁴
Resistance (Ω)	11.6	5.8	3.5
Inductance (mH)	22	12	8.47
Electrical Time Constant (ms)	1.9	2.1	2.4
Weight (Kg)	1.2	1.4	1.8
Encoder Resolution (PPR)	2500	2500	2500
Body Length (L, mm)	102	122	144

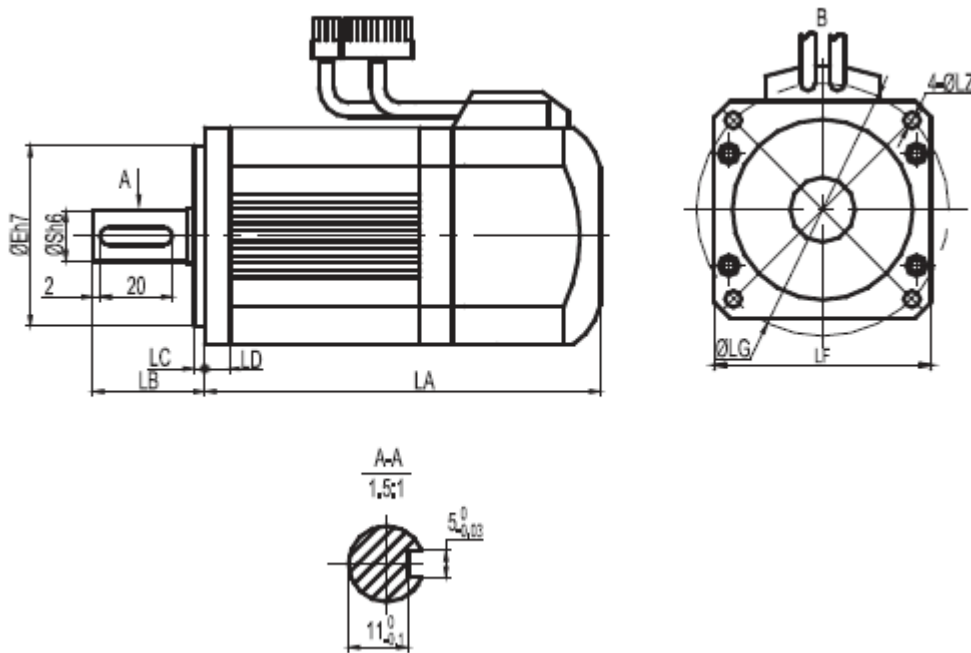
MotionKing (China) Motor Industry Co., Ltd.

General Feature

Insulation Class	Class B (130°C)															
Safety Grade	IP64															
Operating Environment	Temperature: -20°C ~ +50°C Humidity: under<90% (No Dewing)															
Storage Environment	Temperature: -30°C ~ +60°C Humidity: under<90% (No Dewing)															
Winding Connector	Winding Wires			U			V			W			PE			
	Pin No.			1			2			3			4			
Encoder Connector	Signal Wires	5	0V	B+	Z-	U+	Z+	U-	A+	V+	W+	V-	A-	B-	W-	PE
	Pin No.	2	3	4	5	6	7	8	9	10	11	12	13	14	15	1

***Note:** We can manufacture products according to customer's requirements. * 17 Bit absolute encoder is also optional.

Dimensions: unit=mm



MotionKing (China) Motor Industry Co., Ltd.

Shaft:

	AS60-30-006E25	AS60-30-013E25	AS60-30-020E25
LA	102	122	144
LB	30		
LC	3		
LD	7		
LE	50		
LF	60		
LG	70		
LZ	4.5		
S	14		
S1	14.9		

AS80 AC Servo Motors



Electrical Specifications:

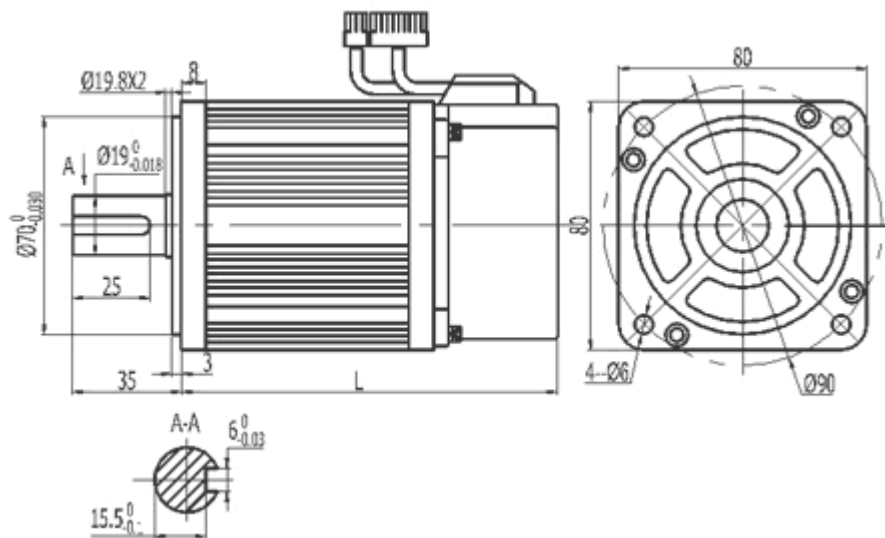
	AS80-30-013E25	AS80-30-024E25	AS80-20-035E25	AS80-30-035E25	AS80-25-040E25	AS80-30-040E25
Rated Power (KW)	0.4	0.75	0.73	1.0	1.0	1.2
Rated Voltage (V)	220	220	220	220	220	220
Rated Current (A)	2	3.0	3.0	3.0	4.4	5.2
Rated Speed (RPM)	3000	3000	2000	3000	2500	3000
Rated Torque (N.m)	1.27	2.39	3.5	3.5	4.0	4.0
Peak Torque (N.m)	3.8	7.1	10.5	10.5	12	12
Peak Current (A)	6	9.0	9.0	13.5	13.2	16
Voltage Constant (V/1000r/min)	40	48	71	46	56	46
Torque Coefficient (N.m/A)	0.64	0.8	1.17	0.78	0.9	0.77
Rotor Inertia (Kg.m ²)	1.05x10 ⁻⁴	1.82x10 ⁻⁴	2.63x10 ⁻⁴	2.63x10 ⁻⁴	2.97x10 ⁻⁴	2.97x10 ⁻⁴
Resistance (Ω)	4.44	2.88	3.65	1.56	1.83	1.33
Inductance (mH)	7.93	6.4	8.8	3.76	4.72	3.27
Electrical Time Constant (ms)	1.66	2.22	2.4	2.4	2.58	2.46
Weight (Kg)	1.78	2.86	3.7	3.7	3.8	3.8
Encoder Resolution (PPR)	2500	2500	2500	2500	2500	2500
Body Length (L, mm)	123	150	178	190		

General Feature

Insulation Class	Class B (130°C)															
Safety Grade	IP64															
Operating Environment	Temperature: -20°C ~ +50°C Humidity: under<90% (No Dewing)															
Storage Environment	Temperature: -30°C ~ +60°C Humidity: under<90% (No Dewing)															
Winding Connector	Winding Wires			U			V			W			PE			
	Pin No.			1			2			3			4			
Encoder Connector	Signal Wires	5	0V	B+	Z-	U+	Z+	U-	A+	V+	W+	V-	A-	B-	W-	PE
	Pin No.	2	3	4	5	6	7	8	9	10	11	12	13	14	15	1

***Note:** We can manufacture products according to customer's requirements. * 17 Bit absolute encoder is also optional.

Dimensions: unit=mm



Shaft:

Model	L (mm)
AS80-30-013E25	123
AS80-30-024E25	150
AS80-20-035E25	178
AS80-30-035E25	190
AS80-25-040E25	
AS80-30-040E25	

AS90 AC Servo Motors


Electrical Specifications:

	AS90-30-024E25	AS90-20-035E25	AS90-25-040E25
Rated Power (KW)	0.75	0.73	1.0
Rated Voltage (V)	220	220	220
Rated Current (A)	3	3.0	4
Rated Speed (RPM)	3000	2000	2500
Rated Torque (N.m)	2.4	3.5	4
Peak Torque (N.m)	7.1	10.5	12
Peak Current (A)	9	9	12
Voltage Constant (V/1000r/min)	51	67	60
Torque Coefficient (N.m/A)	0.8	1.2	1.0
Rotor Inertia (Kg.m ²)	2.45x10 ⁻⁴	3.4x10 ⁻⁴	3.7x10 ⁻⁴
Resistance (Ω)	3.2	4.06	2.69
Inductance (mH)	7.0	9.7	6.21
Electrical Time Constant (ms)	2.2	2.39	2.3
Weight (Kg)	3.4	3.8	4.13
Encoder Resolution (PPR)	2500	2500	2500
Body Length (L, mm)	149	171	181

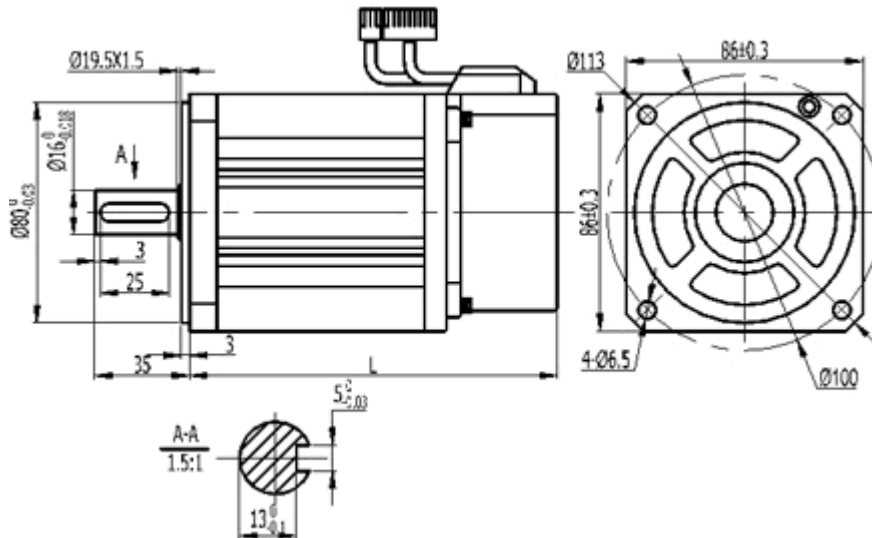
MotionKing (China) Motor Industry Co., Ltd.

General Feature

Insulation Class	Class B (130°C)																
Safety Grade	IP64																
Operating Environment	Temperature: -20°C ~ +50°C Humidity: under<90% (No Dewing)																
Storage Environment	Temperature: -30°C ~ +60°C Humidity: under<90% (No Dewing)																
Winding Connector	Winding Wires	U				V				W				PE			
	Pin No.	1				2				3				4			
Encoder Connector	Signal Wires	5	0V	B+	Z-	U+	Z+	U-	A+	V+	W+	V-	A-	B-	W-	PE	
	Pin No.	2	3	4	5	6	7	8	9	10	11	12	13	14	15	1	

*Note: We can manufacture products according to customer's requirements. * 17 Bit absolute encoder is also optional.

Dimensions: unit=mm



Shaft:

Model	L (mm)
AS90-30-024E25	149
AS90-20-035E25	171
AS90-25-040E25	181

AS110 AC Servo Motors


Electrical Specifications:

	AS110-30-020E25	AS110-20-040E25	AS110-30-040E25	AS110-20-050E25
Rated Power (KW)	0.6	0.8	1.2	1.0
Rated Voltage (V)	220	220	220	220
Rated Current (A)	2.5	3.5	5.0	4.5
Rated Speed (RPM)	3000	2000	3000	2000
Rated Torque (N.m)	2	4	4	5
Peak Torque (N.m)	6	12	12	10
Peak Current (A)	7.5	10.5	15	13.5
Voltage Constant (V/1000r/min)	56	79	54	86
Torque Coefficient (N.m/A)	0.8	1.14	0.8	1.11
Rotor Inertia (Kg.m ²)	0.3110 ⁻³	0.5410 ⁻³	0.5410 ⁻³	0.6310 ⁻³
Resistance (Ω)	3.6	2.41	1.09	2.14
Inductance (mH)	8.32	7.3	3.3	6.5
Electrical Time Constant (ms)	2.3	3	3.0	3.0
Weight (Kg)	4.5	5.5	5.5	6.1
Encoder Resolution (PPR)	2500	2500	2500	2500
Body Length (L, mm)	159	189	189	204

MotionKing (China) Motor Industry Co., Ltd.

	AS110-20-050BE25	AS110-30-050E25	AS110-20-060E25	AS110-30-060E25
Rated Power (KW)	1.0	1.5	1.2	1.8
Rated Voltage (V)	220	220	220	220
Rated Current (A)	5.4	6.0	4.5	6.0
Rated Speed (RPM)	2000	3000	2000	3000
Rated Torque (N.m)	5	5	6	6
Peak Torque (N.m)	15	15	12	18
Peak Current (A)	16.2	18	13.5	18
Voltage Constant (V/1000r/min)	75	62	83	60
Torque Coefficient (N.m/A)	0.93	0.83	1.3	1.0
Rotor Inertia (Kg.m ²)	0.6310 ⁻³	0.6310 ⁻³	0.7610 ⁻³	0.7610 ⁻³
Resistance (Ω)	1.7	1.03	1.46	0.81
Inductance (mH)	4.9	3.43	4.7	2.59
Electrical Time Constant (ms)	2.88	3.33	3.2	3.2
Weight (Kg)	6.1	6.1	6.7	6.7
Encoder Resolution (PPR)	2500	2500	2500	2500
Body Length (L, mm)	204	204	219	219

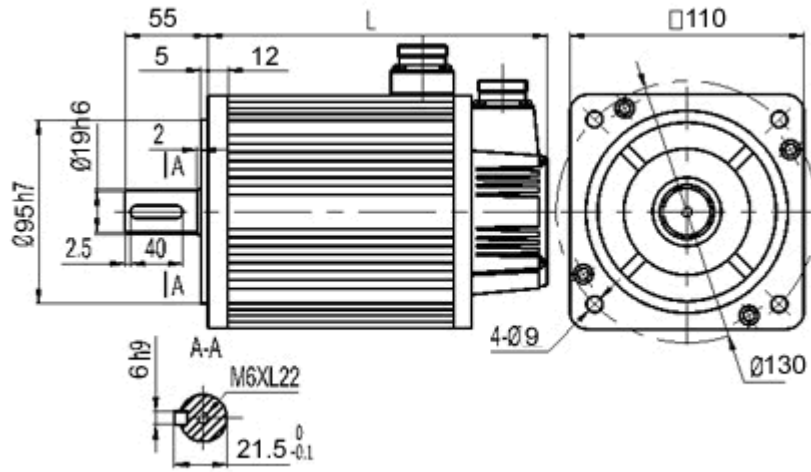
General Feature

Insulation Class	Class B (130°C)															
Safety Grade	IP64															
Operating Environment	Temperature: -20°C ~ +50°C Humidity: under<90% (No Dewing)															
Storage Environment	Temperature: -30°C ~ +60°C Humidity: under<90% (No Dewing)															
Winding Connector	Winding Wires			U			V			W			PE			
	Pin No.			1			2			3			4			
Encoder Connector	Signal Wires	5	0V	B+	Z-	U+	Z+	U-	A+	V+	W+	V-	A-	B-	W-	PE
	Pin No.	2	3	4	5	6	7	8	9	10	11	12	13	14	15	1

***Note:** We can manufacture products according to customer's requirements. * 17 Bit absolute encoder is also optional.

MotionKing (China) Motor Industry Co., Ltd.

Dimensions: unit=mm



Shaft:

Rated Torque (N.m)	L (mm)
2	159
4	189
5	204
6	219

AS130 AC Servo Motors



Electrical Specifications:

	AS130-25- O40E25	AS130-25- O50E25	AS130-25- O60E25	AS130-25- O77E25
Rated Power (KW)	1.0	1.3	1.5	2.0
Rated Voltage (V)	220	220	220	220
Rated Current (A)	4.0	5.0	6.0	7.5
Rated Speed (RPM)	2500	2500	2500	2500
Rated Torque (N.m)	4	5	6	7.7
Peak Torque (N.m)	12	15	18	22
Peak Current (A)	12	15	18	22.5
Voltage Constant (V/1000r/min)	72	68	65	68
Torque Coefficient (N.m/A)	1.0	1.0	1.0	1.03
Rotor Inertia (Kg.m ²)	0.85×10^{-3}	1.06×10^{-3}	1.26×10^{-3}	1.53×10^{-3}
Resistance (Ω)	2.76	1.84	1.21	1.01
Inductance (mH)	6.42	4.9	3.87	2.94
Electrical Time Constant (ms)	2.32	2.66	3.26	3.8
Weight (Kg)	7.7	8.2	8.9	10
Encoder Resolution (PPR)	2500	2500	2500	2500
Body Length (L, mm)	166	171	179	192

MotionKing (China) Motor Industry Co., Ltd.

	AS130-10-100E25	AS130-15-100E25	AS130-25-100E25	AS130-15-150E25	AS130-25-150E25
Rated Power (KW)	1.0	1.5	2.6	2.3	3.8
Rated Voltage (V)	220	220	220	220	220
Rated Current (A)	4.5	6.0	10	9.5	13.5
Rated Speed (RPM)	1000	1500	2500	1500	2500
Rated Torque (N.m)	10	10	10	15	15
Peak Torque (N.m)	20	25	25	30	30
Peak Current (A)	9	15	25	19	27
Voltage Constant (V/1000r/min)	140	103	70	114	67
Torque Coefficient (N.m/A)	2.2	1.67	1.0	1.58	1.11
Rotor Inertia (Kg.m ²)	1.94×10^{-3}	1.94×10^{-3}	1.94×10^{-3}	2.77×10^{-3}	2.77×10^{-3}
Resistance (Ω)	2.7	1.29	0.73	1.1	0.49
Inductance (mH)	8.8	5.07	2.45	4.45	1.68
Electrical Time Constant (ms)	3.26	3.93	3.36	4.05	3.43
Weight (Kg)	11.5	11.5	11.5	14.4	14.4
Encoder Resolution (PPR)	2500	2500	2500	2500	2500
Body Length (L, mm)	213	213	209	241	231

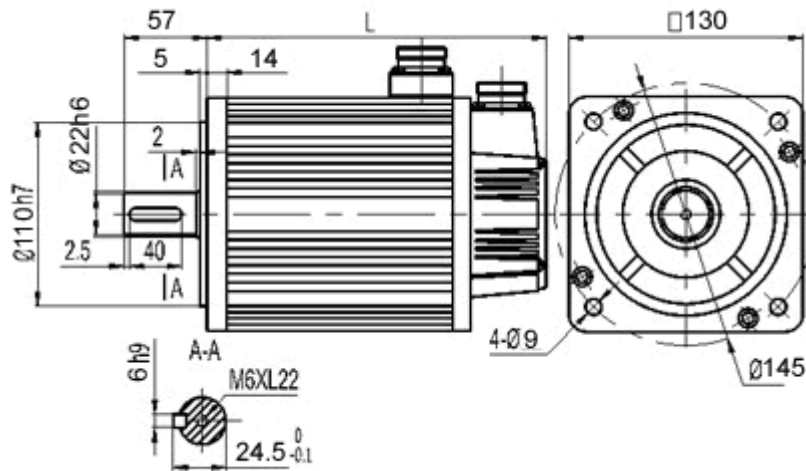
General Feature

Insulation Class	Class B (130°C)															
Safety Grade	IP64															
Operating Environment	Temperature: -20°C ~ +50°C Humidity: under<90% (No Dewing)															
Storage Environment	Temperature: -30°C ~ +60°C Humidity: under<90% (No Dewing)															
Winding Connector	Winding Wires			U			V			W			PE			
	Pin No.			1			2			3			4			
Encoder Connector	Signal Wires	5	0V	B+	Z-	U+	Z+	U-	A+	V+	W+	V-	A-	B-	W-	PE
	Pin No.	2	3	4	5	6	7	8	9	10	11	12	13	14	15	1

***Note:** We can manufacture products according to customer's requirements. * 17 Bit absolute encoder is also optional.

MotionKing (China) Motor Industry Co., Ltd.

Dimensions: unit=mm



Shaft:

Rated Torque (N.m)		L (mm)
4		166
5		171
6		179
7.7		192
10	1000rpm	213
	1500rpm	
	2500rpm	
10	1500rpm	241
	2500rpm	231

AS150 AC Servo Motors



Electrical Specifications:

	AS150-25-150E25	AS150-20-150E25	AS150-20-180E25	AS150-20-230E25		AS150-20-270E25	AS150-15-230E25	
Rated Power (KW)	3.8	3.0	3.6	4.7		5.5	3.6	
Rated Voltage (V)	220	220	220	220	380	220	220	380
Rated Current (A)	17	14	17	21	12	24	17	8.5
Rated Speed (RPM)	2500	2000	2000	2000		2000	1500	
Rated Torque (N.m)	15	15	18	23		27	23	
Peak Torque (N.m)	30	30	36	46		54	46	
Voltage Constant (V/1000r/min)	59	70	71	72	126	64	90	181
Torque Coefficient (N.m/A)	0.88	1.07	1.05	1.09	1.92	1.1	1.35	2.7
Rotor Inertia (Kg.m ²)	3.88x10 ⁻³	3.88x10 ⁻³	4.6x10 ⁻³	5.8x10 ⁻³		6.8x10 ⁻³	5.8x10 ⁻³	
Resistance (Ω)	0.23	0.34	0.255	0.2	0.633	0.125	0.3	1.2
Inductance (mH)	1.08	1.55	1.3	1.06	3.25	0.7	1.66	6.64
Electrical Time Constant (ms)	4.7	4.56	5.1	5.3	5.1	5.6	5.53	5.53
Weight (Kg)	15.2	15.2	17.2	21		23.5	21	
Encoder Resolution (PPR)	2500	2500	2500	2500		2500	2500	
Body Length (L, mm)	230	230	248	278		302	278	

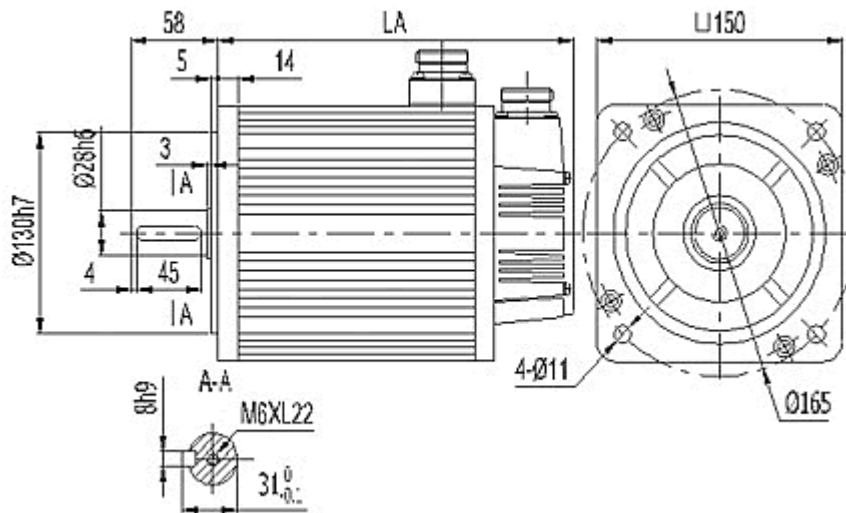
MotionKing (China) Motor Industry Co., Ltd.

General Feature

Insulation Class	Class B (130°C)																
Safety Grade	IP64																
Operating Environment	Temperature: -20°C ~ +50°C Humidity: under<90% (No Dewing)																
Storage Environment	Temperature: -30°C ~ +60°C Humidity: under<90% (No Dewing)																
Winding Connector	Winding Wires	U				V				W				PE			
	Pin No.	1				2				3				4			
Encoder Connector	Signal Wires	5	0V	B+	Z-	U+	Z+	U-	A+	V+	W+	V-	A-	B-	W-	PE	
	Pin No.	2	3	4	5	6	7	8	9	10	11	12	13	14	15	1	

***Note:** We can manufacture products according to customer's requirements. *** 17 Bit absolute encoder is also optional.**

Dimensions: unit=mm



Shaft:

Rated Torque (N.m)	L (mm)
15	230
18	230
23	248
27	278

AS180 AC Servo Motors


Electrical Specifications:

	AS180-15-172E25		AS180-15-190E25		AS180-20-215E25		AS180-10-270E25	
Rated Power (KW)	2.7		3.0		4.5		2.9	
Rated Voltage (V)	220	380	220	380	220	380	220	380
Rated Current (A)	10.5	6.5	12	7.5	16	9.5	12	7.5
Rated Speed (RPM)	1500		1500		2000		1000	
Rated Torque (N.m)	17.2		19		21.5		27	
Peak Torque (N.m)	43		47		53		67	
Peak Current (A)								
Voltage Constant (V/1000r/min)	112	167	97	158	84	140	138	224
Torque Coefficient (N.m/A)	1.64	2.65	1.58	2.5	1.34	2.26	2.25	3.6
Rotor Inertia (Kg.m ²)	3.4x10 ⁻³		3.8x10 ⁻³		4.7x10 ⁻³		6.1x10 ⁻³	
Resistance (Ω)	0.7	1.47	0.4	1.15	0.24	0.71	0.48	1.37
Inductance (mH)	3.5	7.8	2.42	6.4	1.45	4	3.26	8.6
Electrical Time Constant (ms)	5	5.3	6	5.57	6	5.6	6.79	6.27
Weight (Kg)	19.5		20.5		22.2		25.5	
Encoder Resolution (PPR)	2500		2500		2500		2500	

MotionKing (China) Motor Industry Co., Ltd.

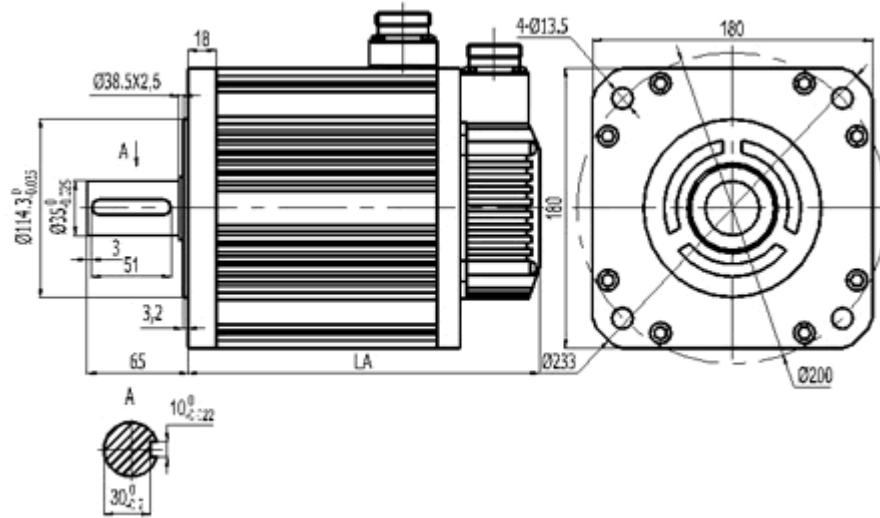
	AS180-15-270E25		AS180-10-350E25		AS180-15-350E25		AS180-10-480E25	
Rated Power (KW)	4.3		3.7		5.5		7.5	
Rated Voltage (V)	220	380	220	380	220	380	220	380
Rated Current (A)	16	10	16	10	24	12	32	20
Rated Speed (RPM)	1500		1000		1500		1000	
Rated Torque (N.m)	27		35		35		48	
Peak Torque (N.m)	67		70		70		96	
Peak Current (A)								
Voltage Constant (V/1000r/min)	103	172	134	223	90	181	94	156
Torque Coefficient (N.m/A)	1.69	2.7	2.2	3.5	1.45	2.9	1.5	2.4
Rotor Inertia (Kg.m ²)	6.1x10 ⁻³		8.6x10 ⁻³		8.6x10 ⁻³		9.5x10 ⁻³	
Resistance (Ω)	0.28	0.796	0.31	0.93	0.14	0.62	0.104	0.273
Inductance (mH)	1.74	4.83	3.28	9.1	1.0	4	0.77	2.14
Electrical Time Constant (ms)	6.2	6	10.58	9.78	7.14	6.45	7.4	7.8
Weight (Kg)	25.5		30.5		30.5		40	
Encoder Resolution (PPR)	2500		2500		2500		2500	

General Feature

Insulation Class	Class B (130°C)															
Safety Grade	IP64															
Operating Environment	Temperature: -20°C ~ +50°C Humidity: under<90% (No Dewing)															
Storage Environment	Temperature: -30°C ~ +60°C Humidity: under<90% (No Dewing)															
Winding Connector	Winding Wires			U			V			W			PE			
	Pin No.			1			2			3			4			
Encoder Connector	Signal Wires	5V	0 V	B+	Z-	U+	Z+	U-	A+	V+	W+	V-	A-	B-	W-	PE
	Pin No.	2	3	4	5	6	7	8	9	10	11	12	13	14	15	1

*Note: We can manufacture products according to customer's requirements. * 17 Bit absolute encoder is also optional.

Dimensions: unit=mm



Shaft:

Rated Torque (N.m)	LA (mm)
17.2	226
19	232
21.5	243
27	262
35	292
40	345

AC Servo Drivers



Model(P/N)	Main Parameter
Driver MODB08IL	AC220V,0.8KW
Driver MODB13IM	AC220V,1.3KW
Driver MODB20IM	AC220V,2.0KW
Driver MODB25IH	AC220V,2.5KW
Driver MODB50IM	AC220V,5.0KW
DO-1000C50H	AC220V / 380V,4.3KW