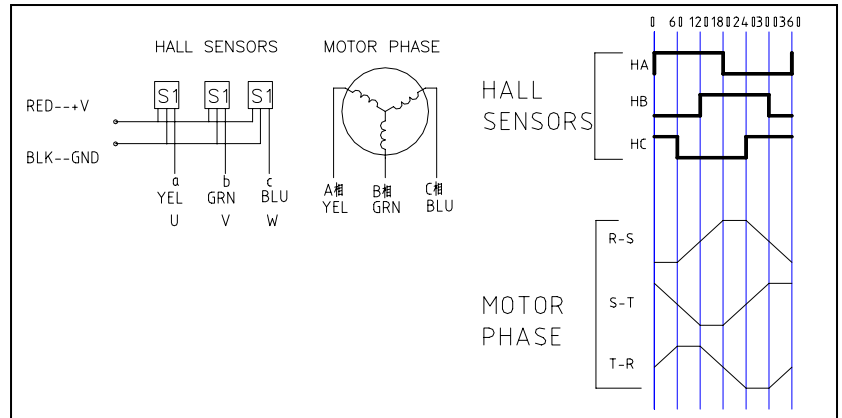


# 3 Phase Hi-Torque DC Brushless Motor

42 series, 42x42mm Frame Size

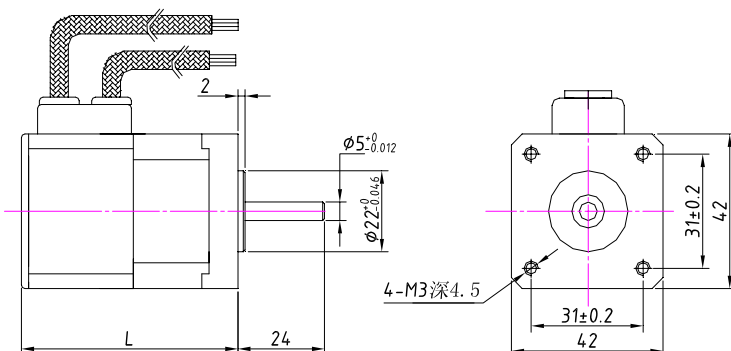


### Electrical Specifications:

Model	Rated power	Rated voltage	Current	Number of poles	Rated speed	Torque @ rated speed	Peak torque	Moment constant	Length L	Weight
	W	V DC	A		rpm	N.m	N.m	N.m/A	mm	Kg
42BLDC65A-240	28	24	1.56	8	3000	0.1	0.3	0.06	65	0.45
42BLDC85A-240	63	24	3.44	8	3000	0.2	0.6	0.06	85	0.55

\*Note: We can also manufacture products according to customer's requirements.

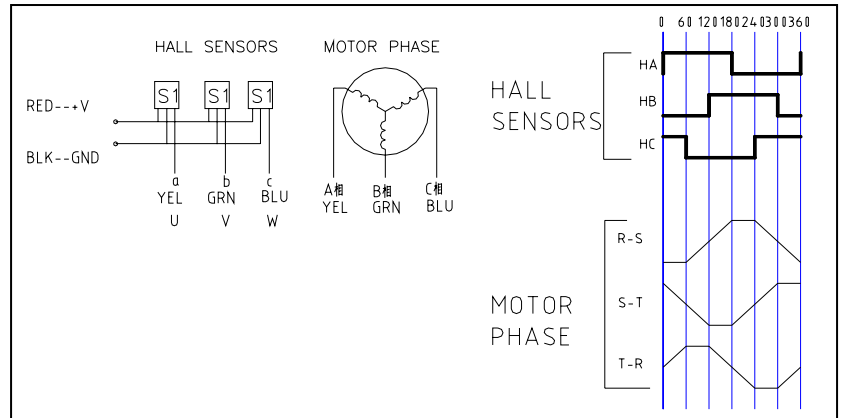
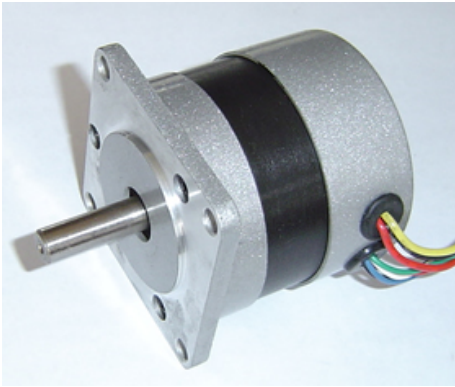
### Dimensions: unit=mm



Model	Shaft Diameter D	Shaft Shape
42BLDC60A-240	φ 5	Slick
42BLDC80A-240	φ 5	Slick

# 3 Phase Hi-Torque DC Brushless Motor

57 series, 57x57mm Frame Size

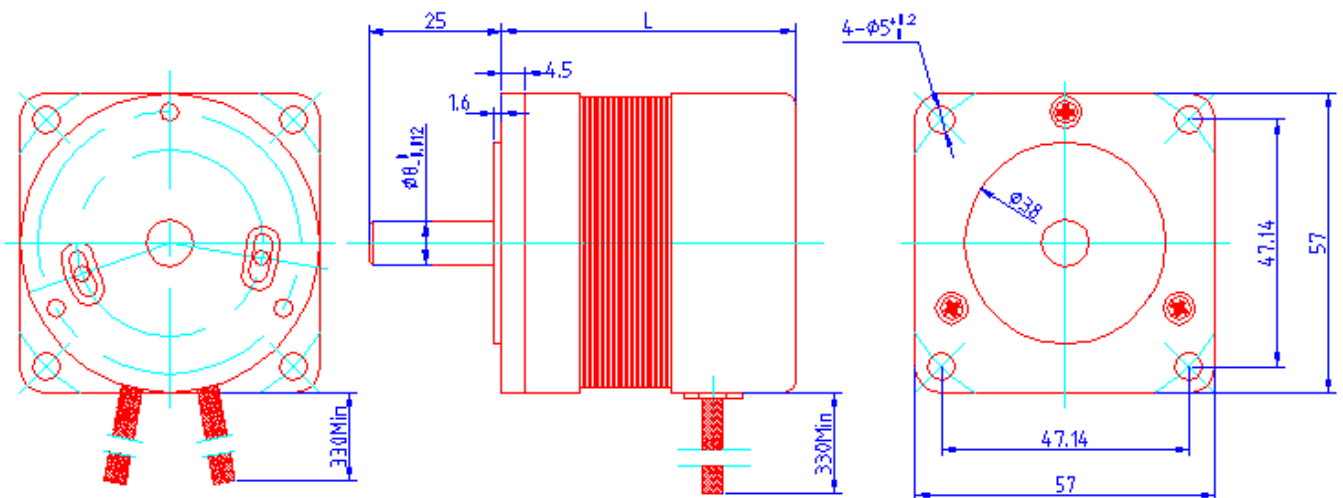


## Electrical Specifications:

Model	Phase	Rated Voltage	Poles	Phase Inductance	Phase Resistance	Rotor Inertia	Rated-load			Max. Torque	Weight	L
		VDC		mH	ohms		Kgcm <sup>2</sup>	Speed	Torque			
							rpm	N.m	W	N.m	Kg	mm
57BLDC50A-250	3	24	4	4.2	1.5	$7.5 \times 10^{-6}$	3500	0.16	55	0.39	0.5	55
57BLDC70A-250	3	24	4	2.16	0.7	$11.9 \times 10^{-6}$	3500	0.3	105	0.7	0.75	75
57BLDC90A-250	3	24	4	1.4	0.45	$17.3 \times 10^{-6}$	3500	0.42	145	1	1	95

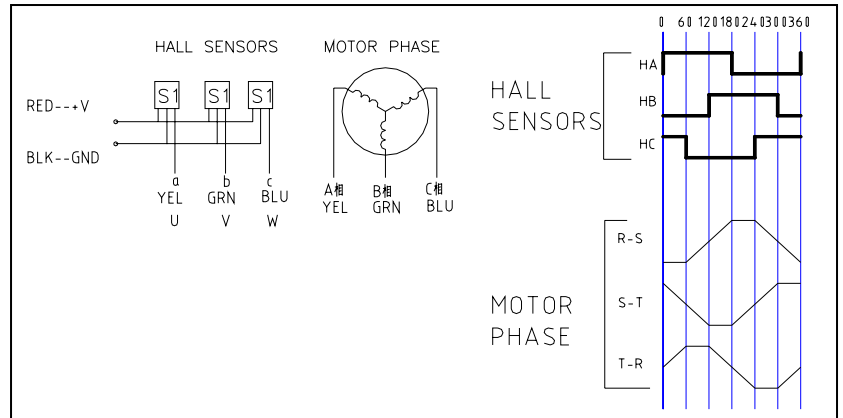
\*Note: We can also manufacture products according to customer's requirements.

## Dimensions: unit=mm



# 3 Phase Hi-Torque DC Brushless Motor

## 60 series, 61x61mm Frame Size

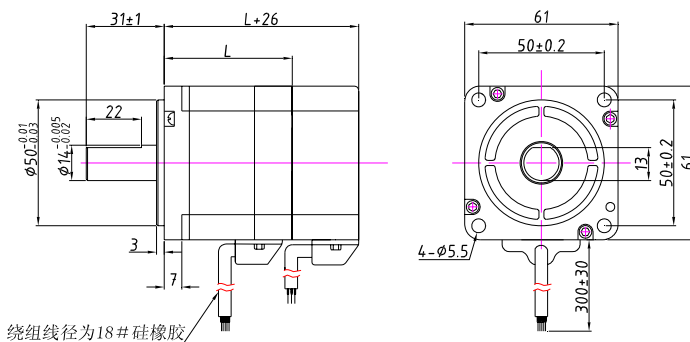


### Electrical Specifications:

Model	Rated power	Rated voltage	Current	Number of poles	Rated speed	Torque @ rated speed	Peak torque	Moment constant	Length L	Weight
	W	V DC	A		rpm	N.m	N.m	N.m/A	mm	Kg
60BLDC50A-340	78	36	2.89	8	3000	0.25	0.75	0.09	52	0.9
60BLDC70A-440	156	48	4.33	8	3000	0.5	1.5	0.12	73	1.25
60BLDC90A-640	235	310	1.16	8	3000	0.75	2.25	0.64	94	1.6

\*Note: We can also manufacture products according to customer's requirements.

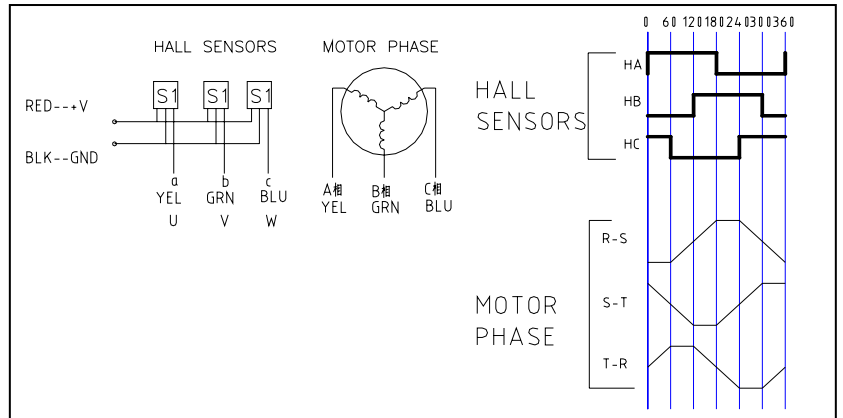
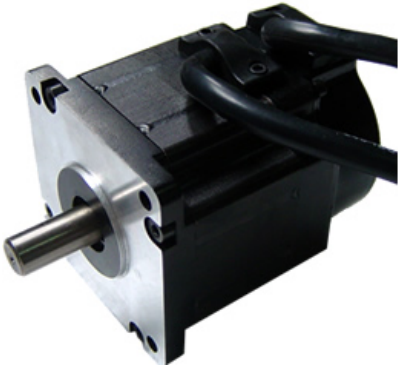
### Dimensions: unit=mm



Model	Shaft Diameter D	Shaft Shape
60BLDC50A-350	φ 14	Flat 1x25
60BLDC70A-450	φ 14	Flat 1x25
60BLDC90A-650	φ 14	Flat 1x25

# 3 Phase Hi-Torque DC Brushless Motor

70 series, 70x70mm Frame Size

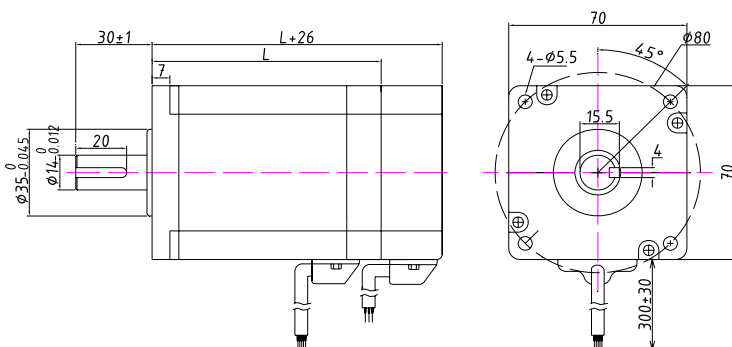


## Electrical Specifications:

Model	Rated power	Rated voltage	Current	Number of poles	Rated speed	Torque @ rated speed	Peak torque	Moment constant	Length L	Weight
	W	V DC	A		rpm	N.m	N.m	N.m/A	mm	Kg
70BLDC60A-340	156	36	5.78	8	3000	0.5	1.5	0.09	60	1.3
70BLDC90A-640	313	310	1.44	8	3000	1.0	3.0	0.69	90	2.08

\*Note: We can also manufacture products according to customer's requirements.

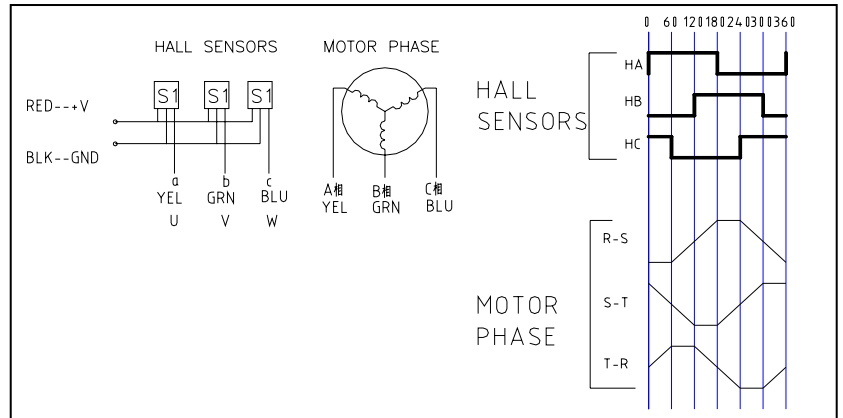
## Dimensions: unit=mm



Model	Shaft Diameter D	Shaft Shape
70BLDC60A-340	φ 12	Flat 1x25
70BLDC90A-640	φ 14	Key 4x20

# 3 Phase Hi-Torque DC Brushless Motor

## 80 series, 80x80mm Frame Size

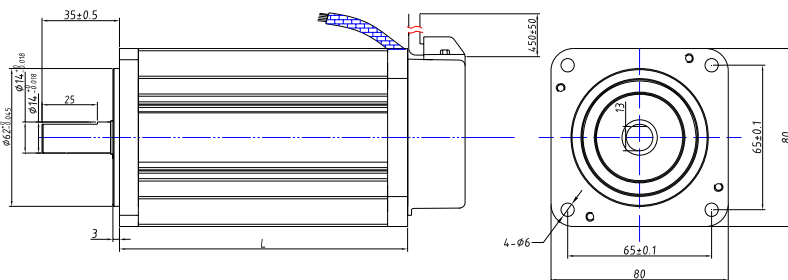


### Electrical Specifications:

Model	Rated power	Rated voltage	Current	Number of poles	Rated speed	Torque @ rated speed	Peak torque	Moment constant	Length L	Weight
	W	V DC	A		rpm	N.m	N.m	N.m/A	mm	Kg
80BLDC85A-690	500	310	2.1	4	6000	0.8	3.0	0.38	85	2.1
80BLDC115A-440	370	48	10.5	4	3000	1.2	3.6	0.11	115	2.5
80BLDC120A-690	750	310	3.3	4	6000	1.2	4.5	0.36	120	3.0
80BLDC130A-660	700	310	3.5	4	5000	1.6	5.5	0.46	130	4.0
80BLDC130A-660	500	90	7.4	4	3000	1.6	5.5	0.22	130	4.0

\*Note: We can also manufacture products according to customer's requirements.

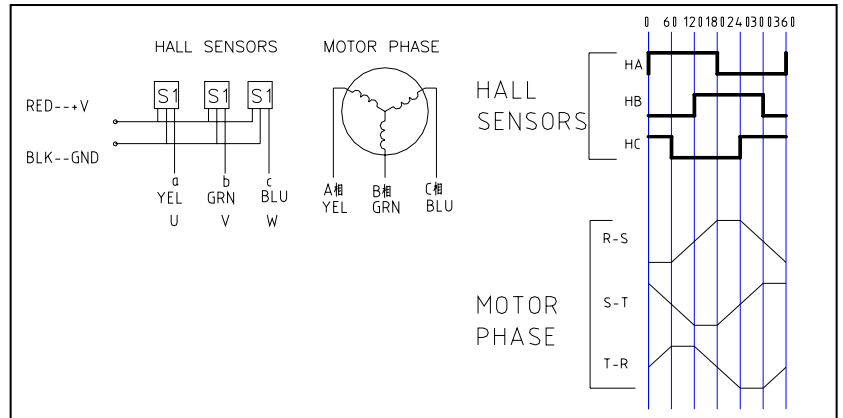
### Dimensions: unit=mm



Model	Shaft Diameter D	Shaft Shape
80BLDC85A	φ 14	Flat 1x25
80BLDC115A	φ 14	Flat 1x25
80BLDC120A	φ 14	Flat 1x25
80BLDC130A	φ 14	Flat 1x25

# 3 Phase Hi-Torque DC Brushless Motor

90 series, 86x86mm Frame Size

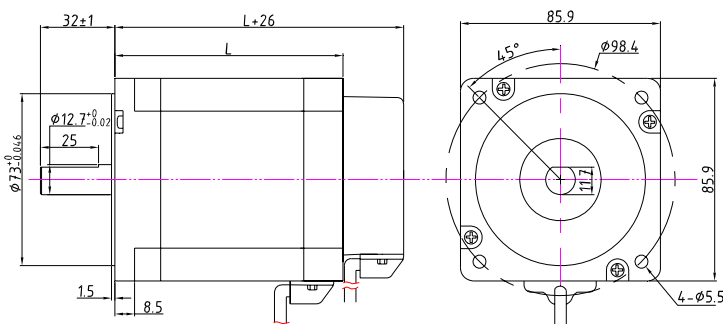


## Electrical Specifications:

Model	Rated power	Rated voltage	Current	Number of poles	Rated speed	Torque @ rated speed	Peak torque	Moment constant	Length L	Weight
	W	V DC	A		rpm	N.m	N.m	N.m/A	mm	Kg
90BLDC70A-640x	220	310	0.94	8	3000	0.7	2.1	0.74	71	1.85
90BLDC100A-640x	440	310	1.89	8	3000	1.4	4.2	0.74	100	2.6
90BLDC125A-640x	660	310	2.83	8	3000	2.1	6.3	0.74	125	4

\*Note: We can also manufacture products according to customer's requirements.

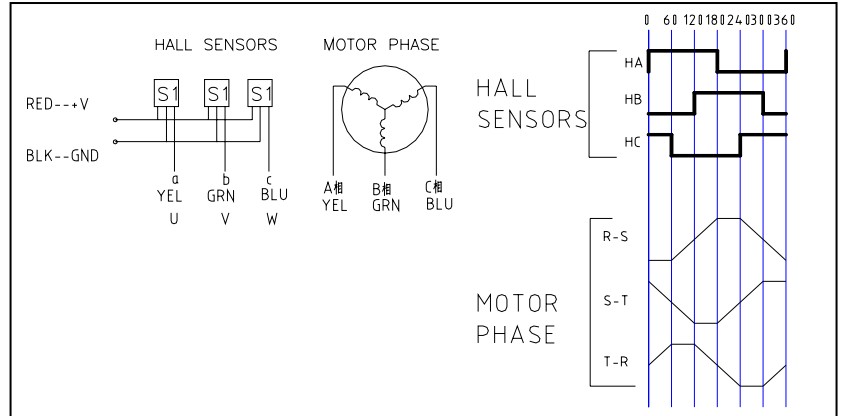
## Dimensions: unit=mm



Model	Shaft Diameter D	Shaft Shape
90BLDC70A-640	φ 12.7	Flat 1x25
90BLDC100A-640	φ 12.7	Flat 1x25
90BLDC125A-640	φ 14	Flat 1x25

# 3 Phase Hi-Torque DC Brushless Motor

## 110 series, 110x110mm Frame Size

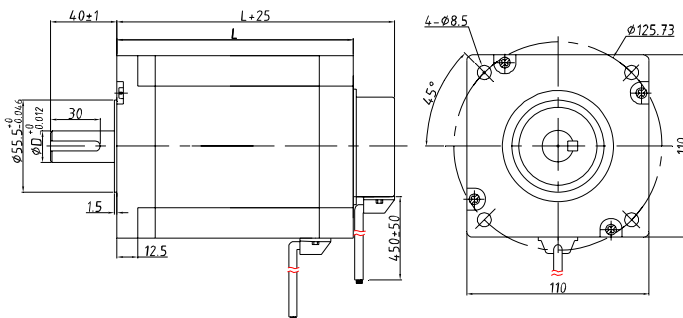


### Electrical Specifications:

Model	Rated power	Rated voltage	Current	Number of poles	Rated speed	Torque @ rated speed	Peak torque	Moment constant	Length L	Weight
	W	V DC	A		rpm	N.m	N.m	N.m/A	mm	Kg
110BLDC110A-640x	940	310	4.33	8	3000	3	9	0.69	113	4.5
110BLDC170A-630x	1250	310	5.76	8	2000	6	18	1.04	173	7

\*Note: We can also manufacture products according to customer's requirements.

### Dimensions: unit=mm



Model	Shaft Diameter D	Shaft Shape
110BLDC110A-640x	$\phi 19$	Key 6X30
110BLDC170A-630x	$\phi 19$	Key 6X30